

Model FDDPDC2-5.15

- 2 Channel Combiner
- Constant Impedance Type
- FM Band 87.5-108 Mhz

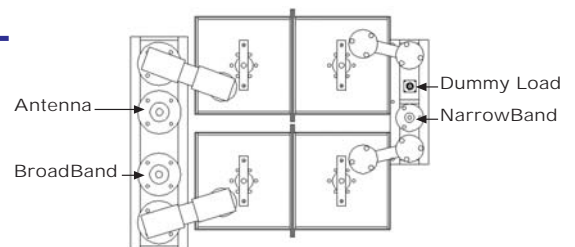
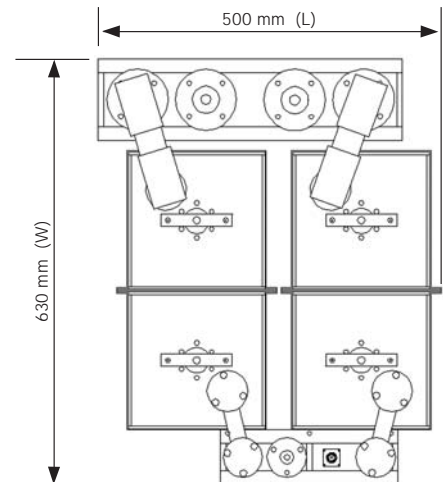
A constant impedance combiners consists of two or more band pass filters, two 3dB couplers and a dummy load. One or more inputs is/are narrow band, while the remaining input(s) can be broadband. Input impedance is not frequency dependent.

TYPICAL SPECIFICATIONS

Model	FDDPDC2-5.15 – Type CONSTANT IMPEDANCE
Impedance	50 Ohm
Frequency Range	87.5+108 MHz
VSWR ±150 KHz	1.1:1 Max
Insertion Loss	at f_0 0.3 dB Max (Narrow Band Input) 0.08 dB Max (Broad Band Input)
Return Loss ±150 KHz	≤ -26 dB
Isolation ±1.5 MHz	NB to BB ≥ 30dB, BB to NB ≥ 40dB
No. of input	2 (NarrowBand+BroadBand)
No. of output	1
Connectors	Input 7/8" NarrowBand Input 1+5/8" BroadBand Output 1+5/8"
Max Power	4 KW NarrowBand 8 KW BroadBand
Temperature Range	-20°C + +50°C
Color	Enamel gray ral 7001
Materials	Aluminium, silver brass, copper, PTFE, stainless steel, silver plated (min 12μ thickness)

- Distortion – Free
- Custom configurations available
- Low loss, high isolation
- Natural convection
- Optional group delay equalizer
- Input impedance not frequency dependent
- The frequency at the broadband input can be changed without returning
i bandpass cavity filters

Dimensions	1300(Max size) x 630 x 500 mm (51.2(Max size) x 24.8 x 19.7 inch) (H x L x W)
Net Weight	≈ 52 Kg



"These specifications are subject to change without notice"