

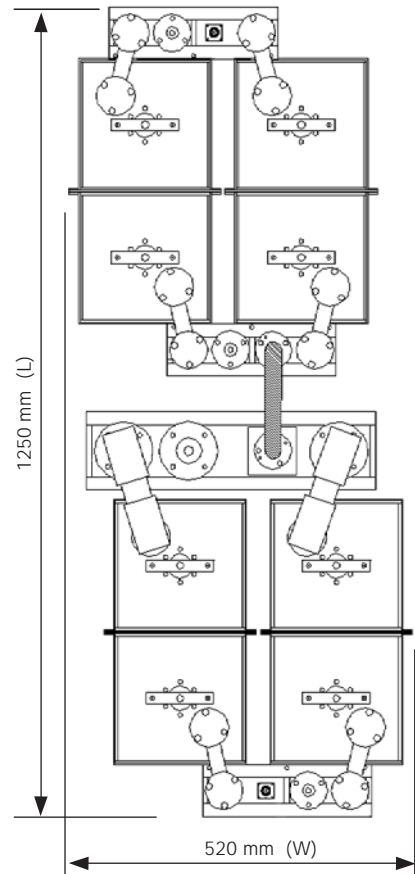
- 3 Channel Combiner
- Constant Impedance Type
- FM Band 87.5-108 Mhz

A constant impedance combiner consists of two or more band pass filters, two 3dB couplers and a dummy load. One or more inputs is/are narrow band, while the remaining input(s) can be broadband. Input impedance is not frequency dependent.

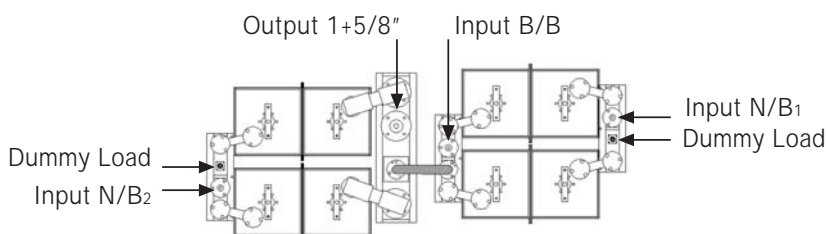
TYPICAL SPECIFICATIONS

Model	FTDPDC2/1 - Type CONSTANT IMPEDANCE
Impedance	50 Ohm
Frequency Range	87.5+108 MHz
VSWR ±150 KHz	1.1:1 Max
Insertion Loss	at f_0 0.5 dB Max (Narrow Band Input 1) at f_0 0.4 dB Max (Narrow Band Input 2) 0.08 dB Max (Broad Band Input)
Return Loss ±150 KHz	≤ -26 dB
Isolation ±1.5 MHz	NB to BB ≥ 30dB, BB to NB ≥ 40dB, NB to NB ≥ 40dB
No. of input	3 (2 NarrowBand+1 BroadBand)
No. of output	1
Connectors	7/8" Input (Opt. 7/16") 1+5/8" Output
Max Power	BroadBand Input + NarrowBand Input 1 5KW NarrowBand Input 2 5KW
Temperature Range	-20°C + +50°C
Color	Enamel gray ral 7001
Materials	Aluminium, silver brass, copper, PTFE, stainless steel, silver plated (min 12μ thickness)

- Distortion - Free
- Custom configurations available
- Low loss- high isolation
- Natural convection
- Optional group delay equalizer
- Input impedance not frequency dependent
- ▶ The frequency at the broadband input can be changed without returning
i the bandpass cavity filters



Dimensions	1300(Max size) x 1250 x 520 mm (51.2(Max size) x 49.2 x 20.5 inch) (H x L x W)
Net Weight	≈ 105 Kg



"These specifications are subject to change without notice"