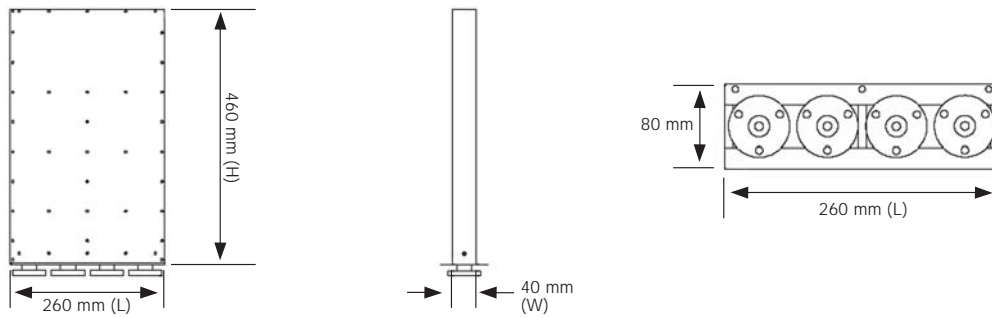
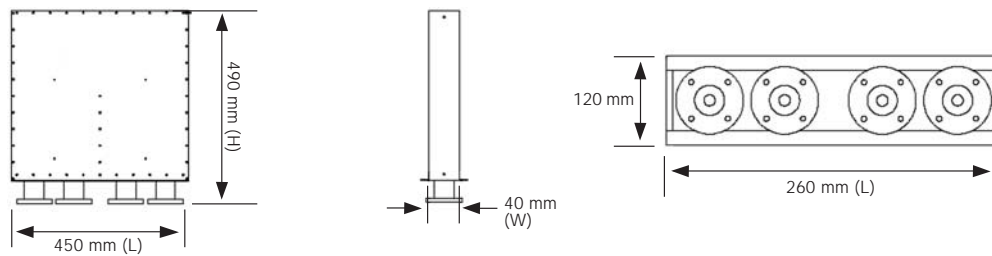


# Model COUP3DB5KW-COUP3DB15KW COUP3DB45KW-COUP3DB80KW

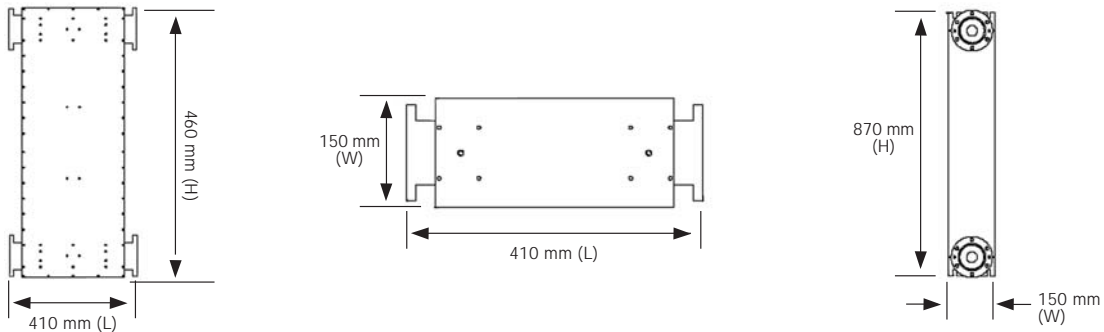
Mechanical specifications for COUP3DB5KW



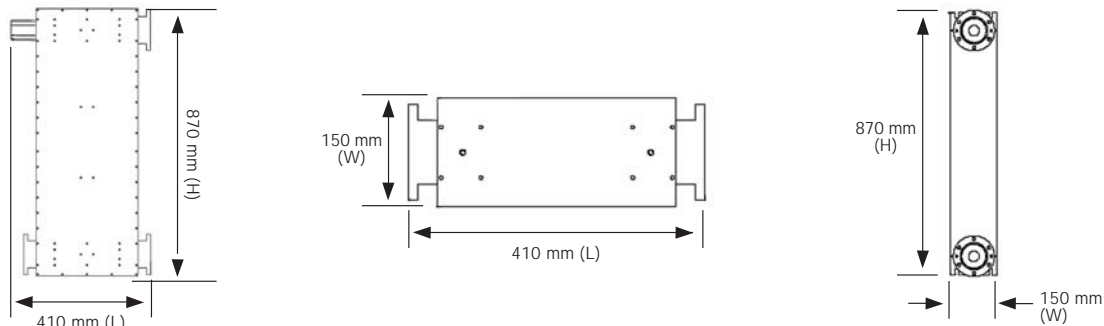
Mechanical specifications for COUP3DB15KW



Mechanical specifications for COUP3DB45KW



Mechanical specifications for COUP3DB80KW



"These specifications are subject to change without notice"